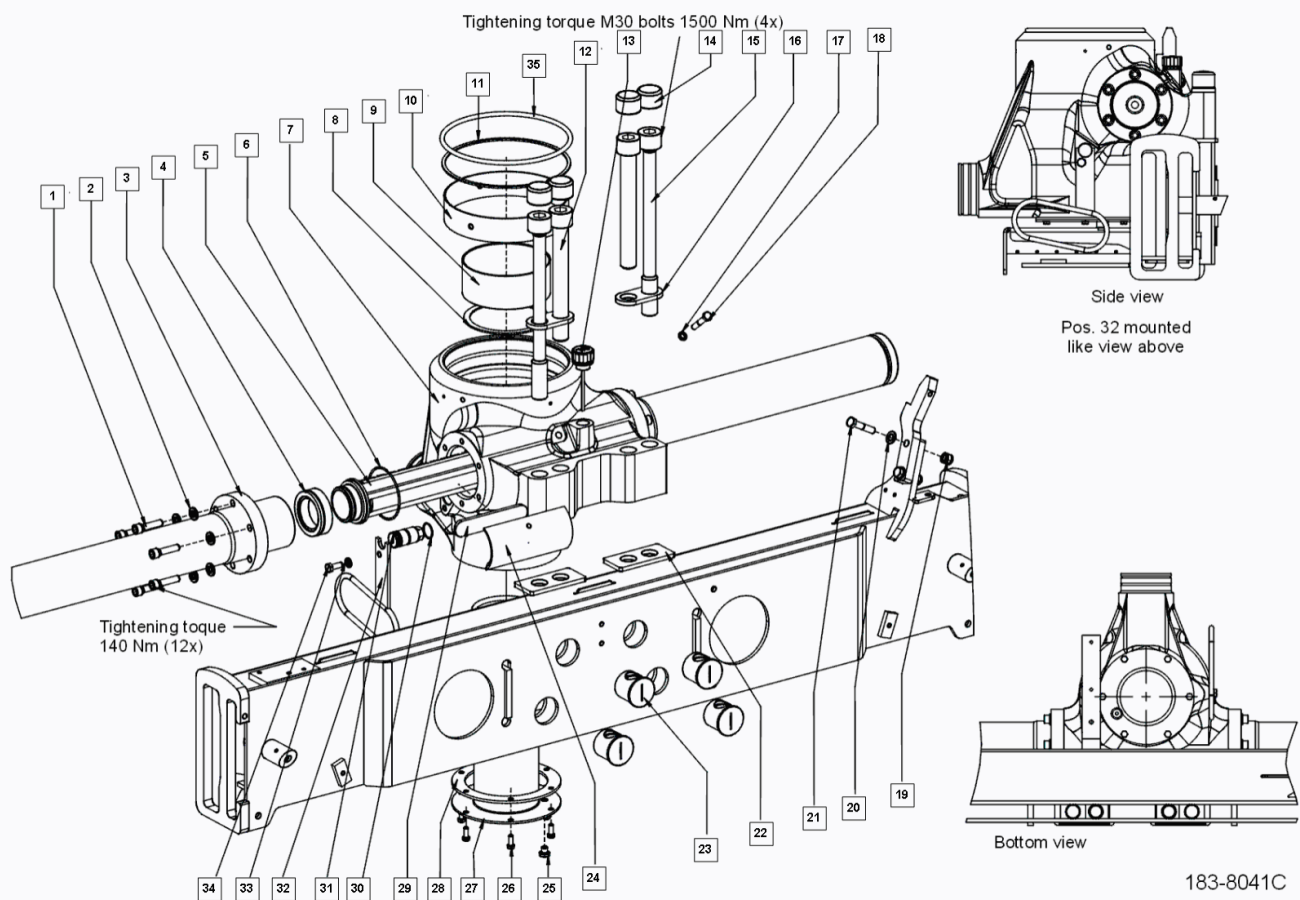


Model:088 HIDUO
Chapter 2.2 Slewing house mounting

1838041
Slewing house mounted (2170 base)

1838041 - Slewing house mounted (2170 base)		Pos	Part No	Description	Quantity
		1	9922695	CH.SCREW M12X50-A3P	12
		2	9836187	WASHER	12
		3	1811606	SLEWING CYLINDER	2
		4	7116672	SEAL	2
		5	8491321	SLEWING PISTON	1
		6	9933476	O-RING	2
		7	1834959	SLEWING HOUSE MACHINED	1
		8	3403904	BEARING 164/140X3	1
		9	8495084	BUSHING	1
		10	3477771	BEARING BUSHING	1
		11	9820043	RETAINING RING	1
		12	9824391	SCREW	2
		13	1811932	LEVEL SCALE	1
		14	1830767	PROTECTION COVER	4
		15	1805401	CH.tension screw M30x350 DACI	2
		16	1834819	PLATE	2
		17	9939415	SEALING WASHER 10.7	1
		18	9900519	BOLT.M10X55-A3P	1
		19	9953523	PT HEX NUT M12-A3P	2
		20	9914129	WASHER B13-A3P	2
		21	9924370	BOLT M12X55-A3P	2
		22	1838563	PLATE	2
		23	1834801	NUT	4
		24	1805614	GUIDE	1
		25	9819622	PLUG	1
		26	9876189	SCREW	6
		27	1805649	SLEEVE	1
		28	1805665	SEAL RING	1
		29	3493539	SLIDE PAD	1
		30	9921338	O-RING	1
		31	1806084	SECURING PIN	1
		32	1811622	BRACKET	1
		33	9904140	SPRING WASHER B10.2-A3P	1
		34	9900471	HEXAGON HEAD SCREW M10x	1
		35	9921885	O-RING	1



Slewing house mounted (2170 base) - 1838041